



NCP-DVRGPS

USER MANUAL

FULL HD DASH CAM DVR WITH GPS LOGGER



GPS



165° FOV

FULL HD

1080P



PARK MODE

Caution.....	5
Battery warning	5
Notes on Installation	5
1 Introduction	6
1.1 Features	6
1.2 Package Contents	6
1.3 Product Overview	6
2 Getting Started	7
2.1 Inserting the Memory Card.....	7
2.2 Installing Car DVR.....	7
2.2.1 Adjust the device position	7
2.2.2 Connect to Power.....	7
2.3 LED Indicator.....	8
2.4 Powering the Car DVR On / Off.....	8
2.4.1 Auto Power On / Off.....	8
2.4.2 Manual Power On / Off and Reset	8
2.4.2.1 Manual Power On	8
2.4.2.2 Manual Power Off	8
2.4.2.3 Reset the Car DVR.....	8
2.5 Playing back Video on PC.....	8
2.6 GPS Recording.....	8
2.7 Initial Settings	9
2.7.1 Formatting Inserted Micro SD Card	9
2.7.2 Set the Date / Time.....	9
2.8 Using the DVR	10
2.8.1 Recording Video	10
2.8.2 Locked Recording.....	10
2.8.3 Recording Screen	11
2.8.4 Video Mode	12
2.9 Video Menu	12
2.9.1 Resolution.....	12
2.9.2 Loop Recording	12

2.9.3	WDR.....	13
2.9.4	Exposure.....	13
2.9.5	Motion Detection.....	13
2.9.6	Recording Audio.....	14
2.9.7	Date Stamp.....	14
2.9.8	G Sensor.....	14
2.9.9	GPS.....	15
3.0.0	Parking Monitor.....	15
3	Photo Mode.....	16
3.1	Photo Menu.....	16
3.1.1	Capture Mode.....	16
3.1.2	Resolution.....	16
3.1.3	Sequence.....	17
3.1.4	Quality.....	17
3.1.5	Sharpness.....	18
3.1.6	White Balance.....	18
3.1.7	Colour.....	18
3.1.8	ISO.....	19
3.1.9	Exposure.....	19
3.1.2.0	Anti Shaking.....	19
3.1.2.1	Quick Review.....	20
3.1.2.2	Date Stamp.....	20
3.2	Setting Menu.....	21
3.2.1	Date / Time.....	21
3.2.2	Auto Power Off.....	21
3.2.3	Beep Sound.....	22
3.2.4	Language.....	22
3.2.5	Frequency.....	22
3.2.6	Lamp Setting.....	24
3.2.7	Format.....	23
3.2.8	Screen Saver.....	24
3.2.9	Delayed Shutdown.....	24

3.3.0	Default Settings.....	25
3.3	Playback Screen.....	25
3.4	Playback Menu.....	26
3.4.1	Deleting Photos & Videos.....	26
3.4.2	Locking and Unlocking Photos and Videos	26
3.4.3	Slide Show.....	26
3.3.4	Deleting Files.....	27
3.5	Playback Software.....	27
3.5.1	Playback	27
4	Menu Tables.....	27-29
	Warranty.....	29

Caution

- Ensure you are using your Car DVR within your countries' road laws. Please make sure you are familiar with your local road legislation before use.
- Avoid leaving your Car DVR in direct sunlight for extended periods of time in an unventilated space.
- Please set time and date before you use this device to record.
- The notifications given by the Car DVR are suggestions only, please drive to the actual conditions.
- The results of GPS positioning are only for reference. The Car DVR will lose GPS positioning abilities when signal is blocked (eg driving through tunnels, enclosed car parks).
- GPS positioning accuracy may vary depending on weather and surroundings such as dense cities, tunnels, or forests. GPS satellite signals cannot pass through most solid materials. Tinted windows may also affect the GPS signal.
- The values displayed in this system, such as speed, position, and the distance warning, may be affected by the surrounding environment.
- The system is to be used only for non-commercial use, within the limits permitted by the relevant laws
- Avoid using the Car DVR in the vicinity of any devices that emit radio interference (eg. Microwave Ovens).
- It is considered normal operation for the Car DVR to get warm during use.

Battery Warning

- Always charge the Car DVR using the provided charger. Improper charging of the Car DVR may result in failure of the internal battery.
- Never dismantle the Car DVR or expose the internal battery.
- Do not dispose of the Car DVR in fire.
- Dispose of the Car DVR observing local regulations being mindful of the internal battery.
- Do not attempt to replace or expose the internal battery.

Notes on Installation

1. It is advised that the Car DVR is installed near the rear view mirror, at the top centre of the windshield for optimal operation.
2. Make sure that the lens is within the range of the windscreen wiper to ensure a clear view when it rains.
3. Do not touch the lens with your fingers. Finger prints left on the lens will result in unclear videos or photos. If photos or videos are blurred, please clean the lens gently with a microfibre cloth.
4. Do not install the device on a tinted window. Doing so may damage the tint film and restrict the Car DVR's GPS signal.
5. Make sure that the installation position does not hinder or block the field of view or GPS signal.
6. Only use the included charging cable to power the Car DVR.

1. Introduction

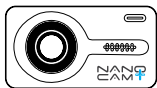
Thank you for purchasing a NanoCam Plus Car DVR. We are certain that our product will give you troublefree operation while providing you with a safety feature that enhances your driving experience. Our products, like most after-market safety enhanced devices, are designed to assist and aid the driver, not to replace the manual function of the person operating the vehicle. Please read through these instructions before attempting to install this product. For the latest manual and product updates, please visit our website at www.nanocamplus.com.au or www.nanocamplus.co.nz.

1.1 Features

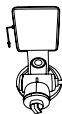
- Recording full high definition 1080P footage at 30 frames per second.
- 2.7" colour screen
- 165° wide angle lens
- GPS recording saves your speed and path
- Emergency recording saves your footage when an impact is detected
- Supports Micro SD cards, class 6 and above up to 32GB

1.2 Package Contents

Car DVR



Mount with GPS Module



Software CD



Micro USB Cable

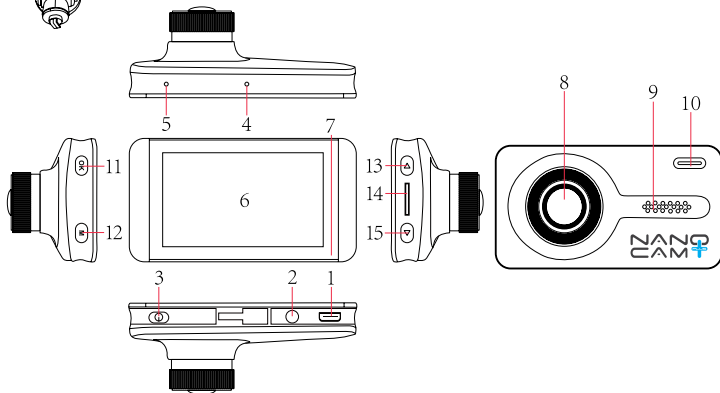


12v Adapter



1.3 Product Overview

1. USB socket
2. GPS socket
3. Power Button
4. Reset Button
5. Microphone
6. 2.7" Screen
7. Status light
8. 165° wide angle lens
9. Speaker
10. LED Light
11. OK Button
12. Menu/Mode Button
13. Up Button
14. Micro SD card Slot
15. Down Button



2. Getting Started

2.1 Inserting Memory Card

With the Car DVR turned off and the screen facing towards you insert the memory card with the text on the Micro SD card facing toward you. Push the memory card in until a click is heard.

To remove the memory card

Ensure that the Car DVR is powered off, push the memory card until a click is heard and release the card to eject.

Note:

1. Do not remove or insert the memory card while the Car DVR is turned on as this may damage the memory card or corrupt the memory cards stored data.
2. Please use a Class 6 or higher rated micro SD card with a maximum capacity of 32GB.
3. Please format the Micro SD card before the initial use.
4. When removing the memory card, be careful as the card may eject quickly.

2.2 Installing the Car DVR

1. Remove the protective stickers from the Car DVR and the Suction Mount.
2. Slot the mount bracket into the socket on the top of the Car DVR and with the screen facing you, slide the bracket from left to right until the bracket locks in place.
3. Connect the GPS plug to the Car DVR.
4. With the GPS module in the down position attach the suction cup to the windscreen.
5. Press the mount base firmly against the windscreen and switch the GPS module to the up position.

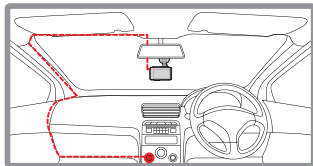
2.2.1 Adjusting the angle of the Car DVR

1. Loosen the knob on the right hand side of the mounting bracket, and adjust the vertical and horizontal angle of the camera.
2. Tighten the knob to lock the position of the camera.

2.2.2 Connecting to Power

Only use the included charger to power and charge the Car DVR.

1. Once the Car DVR is securely installed on your vehicle's windscreen, plug the 12v charger into your vehicle's cigarette lighter.
2. Run the cable along your vehicle's console and windscreen and plug the USB Micro plug into the Car DVR.



Note:

1. It is recommended that the Car DVR is installed behind your vehicle's rear view mirror.
2. Make sure that the camera view is not obstructed by any window tint or any other objects.
3. When removing the suction mount be sure to release the it by switching the GPS module to the down position.

2.3 LED Indicator

STATUS EXPLANATION	LED INDICATOR COLOUR
Battery Charging	Solid RED Light
Power on, Battery Fully Charged	Solid BLUE Light
Power on, Recording	Flashing BLUE light

2.4 Powering the Car DVR On / Off

2.4.1 Auto Power On/Off

When the Car DVR is correctly installed and connected to your vehicle's 12v power supply, the Car DVR will automatically power up and start recording when the vehicle accessories are activated.

2.4.2 Manual Power On/Off and Reset

2.4.2.1 Manual Power On

Hold the Power button on the top of the camera until the NanoCam Plus start up screen appears.

2.4.2.2 Manual Power Off

Make sure that recording has been stopped and then press the Power button on the top of the car DVR. After powering down the device please wait for 10 seconds before turning the Car DVR back on.

2.4.2.3 Reset the Car DVR

If the Car DVR does not function normally, try restarting the car DVR. To restart the car DVR, with a flattened paper clip press the small button in the middle of the underside of the Car DVR.

2.5 Playing back video on a PC

To playback video files on you PC it is recommended to connect the SD card (not included) directly to your PC using either a USB micro SD card reader (not included) or if your PC has a SD card slot, a Micro SD/SD Card converter (not included).

Once the **SD card** is connected it should appear as a removable storage device. It is recommended that you transfer video files that you want to playback to a file on your computer before attempting to playback. This will reduce any delay in playback.

To view the GPS data these video files, the included GPS software will be required to show the speed and positioning of your vehicle at the time of recording. For more information on the GPS software, please see the section named **Playback Software**.

2.6 GPS Recording

GPS recording will record your speed and location when driving. When the NCP-DVRGPS is started it may take up to two minutes for the GPS module to position itself, in this time your position and speed will not be recorded. It is recommended that the windscreen mount is positioned so that the GPS module sits below the roof of the car and any windscreen tint so that the GPS signal is not blocked. GPS signal will also be weaker in tunnels, built up city areas, and heavily wooded areas, and may not be detectable by the NCP-DVRGPS.

2.7 Initial Settings

Before using the Car DVR we recommend **Formatting the Inserted Micro SD Card** and setting the correct Time and Date.

2.7.1 Formatting the Inserted Micro SD Card

Formatting the Micro SD card will delete all information on the inserted Micro SD Card and prepare the card for use with the Car DVR.

1. Press the **OK** Button to stop the Car DVR from recording.
2. Press the **M** Button to enter the **Video Menu**.
3. Press the **M** Button again to enter the **Settings Menu**.
4. Use the **A** and **V** Buttons to navigate the **Settings Menu** and highlight the **Format** setting and press **OK** to select.
5. Select **SD Card** and press the **OK** Button.
6. Select **OK** to confirm and press the **OK** Button.

Note:

1. Menus cannot be accessed while the camera is recording. Please stop the recording before attempting to access the menu.
2. **Formatting your Micro SD Card** will delete all files from the card. Once these files have been deleted you will not be able to recover them.

2.7.2 Setting the Time and Date

Setting the Time and Date allows you to stamp your footage with the time as a reference.

1. Press the **OK** Button to stop the Car DVR from recording.
2. Press the **M** Button to enter the **Video Menu**.
3. Press the **M** Button again to enter the **Settings Menu**.
4. Use the **A** and **V** Buttons to navigate the **Settings Menu** and highlight the **Date/Time** setting and press **OK** to select.
5. Use the **A** and **V** buttons to edit the selected digit and the **OK** button to confirm and progress to the next digit. The final field sets the format that the date will be presented in, pressing **OK** with this field highlighted will save the date and time and return you to the settings menu.

Note:

1. Menus cannot be accessed while the camera is recording. Please stop the recording before attempting to access the menu.
2. Once the time and date is set it can be stamped onto your footage using the **Date Stamp** setting. Please see section **Date Stamp** for more details.

2.8 Using the Car DVR

2.8.1 Recording Video

When the Car DVR is connected to your vehicle's 12v power supply, the Car DVR will automatically power up and begin recording when you start your vehicle. During the start up the buttons will be unresponsive and the camera will take a moment to begin recording. The Car DVR will automatically stop recording and shutdown when your vehicle is powered off.

Note:

1. Because of how some vehicles are wired, the recording may continue when the engine is switched off. If this happens, please manually turn off the Car DVR or remove the car adapter from the cigarette lighter when not in use.
2. The **recording loop** length can be configured to save a video file for every 3 or 5 minutes of recording. For information on how to adjust this setting please refer to the **Loop Recording** section of this manual.
3. The device saves the recorded footage and photos on to the inserted Micro SD Card. If the memory card capacity is full, the oldest file in the memory card will be overwritten.

2.8.2 Locked Recording

Locked Recording saves the current video file and protects it from being overwritten. To manually start a Locked Recording follow the instructions below.

1. During recording push the **M** button.
2. To unlock the footage, press the **M** button again.
3. To stop recording press the **OK** button again.

Note:

1. If the **G Sensor (Gravity Sensing)** function is enabled and a collision is detected, the device will automatically trigger the emergency recording and protect the current video file. Please refer to the section titled **G Sensor (Gravity Sensing)**.
2. The emergency recording file is created as a new file, which will be protected to avoid being overwritten by normal loop recording. If the inserted Micro SD Card fills up with Emergency Recording files the message "**SD Card Full**" will appear on the screen, the oldest emergency file will be automatically deleted when a new emergency recording file is created.

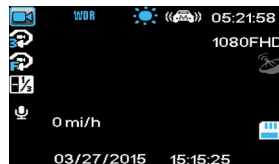
2.8.3 Recording Screen



Number	Icon	Item	Description
1		Recording Indicator	The Record Indicator will flash when the Car DVR is Recording
2		Mode	Mode shows whether you are in Video mode or Photo mode
3		Loop	Shows the duration of the loop clips
4		Motion Detection	The Motion Detection Icon will appear when Motion detection is activated
5		Exposure	Shows the current exposure setting
6		Microphone	Shows if the microphone is muted or recording
7		Wide Dynamic Range	The WDR icon will appear when the Wide Dynamic Range setting is active
8		Day/Night Mode	Will show a sun or moon icon indicating if the LCD light is activated or not
9		Gravity Sensing	Icon shows the current Gravity Sensitivity
10		Recording duration	Shows the current recording duration
11		Resolution	Shows the current set resolution
12		GPS Signal	The GPS icon appears when GPS is active
13		Memory card	The Memory Card icon shows when a Micro SD Card is installed
14		Speed	Shows your current speed
15		Date	Shows the current date
16		Time	Shows the current time
17		Battery	Shows the battery level
18		Emergency Recording	Shows when the Gravity Sensing function has been triggered

2.8.4 Video Mode

When the Car DVR is powered up the video screen will start by default. In this screen recording will automatically start and can be stopped by pressing the **OK** Button. To access the **Video Menu**, ensure that the Car DVR is not recording then press the **M** button.



2.9 Video Menu

2.9.1 Resolution

Resolution sets the video quality. Higher resolution video will capture more detail and will also produce larger files. To change the recording resolution, please follow the instructions below.

1. Press the **OK** Button to stop the Car DVR from recording.
2. Press the **M** Button to enter the **Video Menu**.
3. Use the **▲** and **▼** Buttons to navigate the **Video Menu** and highlight the **Resolution** setting and press **OK** to select.
4. Use the **▲** and **▼** Buttons to highlight your required resolution, then press the **OK** button to confirm your selection.

Note:

1. Menus cannot be accessed while the camera is recording. Please stop the recording before attempting to access the menu.
2. Higher resolution clips will create larger files which will fill the Micro SD Card faster.

2.9.2 Loop Recording

Loop recording allows you to set the duration that the camera will record before creating a new clip. To set the clip length please follow the instructions below.

1. Press the **OK** Button to stop the Car DVR from recording.
2. Press the **M** Button to enter the **Video Menu**.
3. Use the **▲** and **▼** Buttons to navigate the **Video Menu** and highlight the **Loop Recording** setting and press **OK** to select.
4. Use the **▲** and **▼** Buttons to highlight your required Clip Length, then press the **OK** button to confirm your selection.

Note:

1. Menus cannot be accessed while the camera is recording. Please stop the recording before attempting to access the menu.
2. Selecting the OFF option will create the longest possible clip, in most cases depending on the set resolution and other factors this will be limited to 10MB.
3. To avoid filling the card quickly it is advised to use the 2 or 3 minute options.

2.9.3 WDR

The **WDR** setting increases the dynamic range of the camera. To turn this setting on or off, please follow the instructions below.

1. Press the **OK** Button to stop the Car DVR from recording.
2. Press the **M** Button to enter the **Video Menu**.
3. Use the **▲** and **▼** Buttons to navigate the **Video Menu** and highlight the **WDR** setting and press **OK** to select.
4. Use the **▲** and **▼** Buttons to highlight either OFF or ON, then press the **OK** button to confirm your selection.

Note:

1. Menu cannot be accessed while the camera is recording. Please stop the recording before attempting to access the menu.

2.9.4 Exposure

Exposure is used to manually control the light sensitivity settings. To change the **Exposure** setting follow the instructions below.

1. Press the **OK** Button to stop the Car DVR from recording.
2. Press the **M** Button to enter the **Video Menu**.
3. Use the **▲** and **▼** Buttons to navigate the **Video Menu** and highlight the **Exposure** setting and press **OK** to select.
4. Use the **▲** and **▼** Buttons to highlight your required **Exposure** setting, then press the **OK** button to confirm your selection.

Note:

1. Menu cannot be accessed while the camera is recording. Please stop the recording before attempting to access the menu.

2.9.5 Motion Detection

Motion Detection is used to pause recording when no motion is detected in front of the camera, and to start recording when motion is detected again. To activate the **Motion Detection** setting follow the instructions below.

1. Press the **OK** Button to stop the Car DVR from recording.
2. Press the **M** Button to enter the **Video Menu**.
3. Use the **▲** and **▼** Buttons to navigate the **Video Menu** and highlight the **Exposure** setting and press **OK** to select.
4. Use the **▲** and **▼** Buttons to highlight either OFF or ON, then press the **OK** button to confirm your selection.

Note:

1. Menu cannot be accessed while the camera is recording. Please stop the recording before attempting to access the menu.

2.9.6 Recording Audio

The **Recording Audio** setting allows you to mute the microphone during recording, or set it to record. To set your recording preferences, please follow the instructions below.

1. Press the **OK** Button to stop the Car DVR from recording.
2. Press the **M** Button to enter the **Video Menu**.
3. Use the **▲** and **▼** Buttons to navigate the **Video Menu** and highlight the **Recording Audio** setting and press **OK** to select.
4. Use the **▲** and **▼** Buttons to highlight either OFF or ON, then press the **OK** button to confirm your selection.

Note:

1. Menus cannot be accessed while the camera is recording. Please stop the recording before attempting to access the menu.

2.9.7 Date Stamp

Date stamp will stamp the current date onto the footage for future reference. To set the date stamp please follow the instructions below.

1. Press the **OK** Button to stop the Car DVR from recording.
2. Press the **M** Button to enter the **Video Menu**.
3. Use the **▲** and **▼** Buttons to navigate the **Video Menu** and highlight the **Date Stamp** setting and press **OK** to select.
4. Use the **▲** and **▼** Buttons to highlight either OFF or ON, then press the **OK** button to confirm your selection.

Note:

1. Menus cannot be accessed while the camera is recording. Please stop the recording before attempting to access the menu.
2. For date stamp to be correct the time and date must be set first. To set the time and date please see section **Date/Time**.

2.9.8 G Sensor

The **G Sensor** defines the required force needed to trigger emergency recording. Once Emergency recording is triggered the current recording will be saved and protected from being saved over by the normal loop recording. To set the required sensitivity please follow the instructions below.

1. Press the **OK** Button to stop the Car DVR from recording.
2. Press the **M** Button to enter the **Video Menu**.
3. Use the **▲** and **▼** Buttons to navigate the **Video Menu** and highlight the **Gravity Sensing** setting and press **OK** to select.
4. Use the **▲** and **▼** Buttons to highlight either OFF or ON, then press the **OK** button to confirm your selection.

Note:

1. Menus cannot be accessed while the camera is recording. Please stop the recording before attempting to access the menu.
2. If your memory card is filling up quickly you may need to lower the sensitivity of the **G Sensor (Gravity Sensor)** to decrease the number of triggers caused by normal driving.

2.9.9 GPS

The Car DVR's built in **GPS** sensor will record the speed and location of your vehicle and encode the data into the recorded files. This can be activated or deactivated using the **GPS** setting in the Car DVR's video menu. To activate or deactivate this, please follow the instructions below.

1. Press the **OK** Button to stop the Car DVR from recording.
2. Press the **M** Button to enter the **Video Menu**.
3. Use the **▲** and **▼** Buttons to navigate the **Video Menu** and highlight the **GPS** setting and press **OK** to select.
4. Use the **▲** and **▼** Buttons to highlight your required setting, then press the **OK** button to confirm your selection.

Note:

1. Menus cannot be accessed while the camera is recording please stop the recording before attempting to access the menu.
2. GPS tracking can only be played back using the included "Driving Recorder Player" Software.
3. GPS recording can take up to 2 minutes to position itself when the NCP-DVRGPS is powered up.
4. For the GPS setting to work the GPS module must be connected to the NCP-DVRGPS.
5. GPS signal is weaker in tunnels, built up city areas, and heavily wooded areas. This may effect GPS recording when driving in these conditions.

3.0.0 Parking Monitor

When the parking monitor is activated, the Car DVR's built in G sensor monitors for impacts while your vehicle is parked. When an impact is detected the Car DVR will trigger a one-minute recording.

1. Press the **OK** Button to stop the Car DVR from recording.
2. Press the **M** Button to enter the **Video Menu**.
3. Use the **▲** and **▼** Buttons to navigate the **Video Menu** and highlight the **Parking Monitor** setting and press **OK** to select.
4. Use the **▲** and **▼** Buttons to highlight your required setting, then press the **OK** button to confirm your selection.

Note:

1. Menus cannot be accessed while the camera is recording. Please stop the recording before attempting to access the menu.
2. GPS tracking can only be played back using the included "Driving Recorder Player" software.

3. Photo Mode

This screen is used to capture still images using your Car DVR. To access the Photo screen ensure that the camera is not recording and hold the **M** (Menu/Mode) button for 3 seconds. Photo mode also has a menu which is used to edit the photo settings. This menu can be accessed by pressing the **M** (Menu/Mode) in the Photo Screen.



3.1 Photo Menu

3.1.1 Capture Mode

Capture mode is used to set a delayed timer. To set a timer delay follow the instructions below.

1. Enter the **Photo** screen by holding the **M** button for three seconds while in the **Video** screen, ensuring that the camera is not recording.
2. Press the **M** Button to enter the **Photo Menu**.
3. Use the **▲** and **▼** Buttons to navigate the **Photo Menu** and highlight the **Capture Mode** setting and press **OK** to select.
4. Use the **▲** and **▼** Buttons to highlight your required timer delay, then press the **OK** button to confirm your selection.

Note:

1. Menus cannot be accessed while the camera is recording. Please stop the recording before attempting to access the menu.
2. This setting can only be accessed through the **Photo Menu**, please make sure that you are in the **Photo screen** when you access the menu.

3.1.2 Resolution

Resolution sets the still image quality. Higher resolution images will capture more detail and will also produce larger files. To change the photo resolution, please follow the instructions below.

1. Enter the **Photo** screen by holding the **M** button for three seconds while in the **Video** screen, ensuring that the camera is not recording.
2. Press the **M** Button to enter the **Photo Menu**.
3. Use the **▲** and **▼** Buttons to navigate the **Photo Menu** and highlight the **Resolution** setting and press **OK** to select.
4. Use the **▲** and **▼** Buttons to highlight your required resolution, then press the **OK** button to confirm your selection.

Note:

1. Menus cannot be accessed while the camera is recording. Please stop the recording before attempting to access the menu.
2. This setting can only be accessed through the **Photo Menu**, please make sure that you are in the **Photo screen** when you access the menu.

3.1.3 Sequence

When **Sequence** is activated, when a photo is triggered a sequence of 3 photos is taken. To activate or deactivate Sequence mode, follow the instructions below

1. Enter the **Photo** screen by holding the **M** button for three seconds while in the **Video** screen, ensuring that the camera is not recording.
2. Press the **M** Button to enter the **Photo Menu**.
3. Use the **▲** and **▼** Buttons to navigate the **Photo Menu** and highlight the **Sequence** setting and press **OK** to select.
4. Use the **▲** and **▼** Buttons to highlight either OFF or ON, then press the **OK** button to confirm your selection.

Note:

1. Menus cannot be accessed while the camera is recording. Please stop the recording before attempting to access the menu.
2. This setting can only be accessed through the **Photo Menu**, please make sure that you are in the **Photo screen** when you access the menu.

3.1.4 Quality

Quality sets the image detail. Higher quality images will capture more detail and will also produce larger files. To change the recording resolution, please follow the instructions below.

1. Enter the **Photo** screen by holding the **M** button for three seconds while in the **Video** screen, ensuring that the camera is not recording.
2. Press the **M** Button to enter the **Photo Menu**.
3. Use the **▲** and **▼** Buttons to navigate the **Photo Menu** and highlight the **Quality** setting and press **OK** to select.
4. Use the **▲** and **▼** Buttons to highlight your required quality, then press the **OK** button to confirm your selection.

Note:

1. Menu cannot be accessed while the camera is recording. Please stop the recording before attempting to access the menu.
2. This setting can only be accessed through the **Photo Menu**, please make sure that you are in the **Photo screen** when you access the menu.

3.1.5 Sharpness

Sharpness sets the boldness of the image. Images with a stronger sharpness will create bolder images with stronger outlines. To change the photo Sharpness, please follow the instructions below.

1. Enter the **Photo** screen by holding the **M** button for three seconds while in the **Video** screen, ensuring that the camera is not recording.
2. Press the **M** Button to enter the **Photo Menu**.
3. Use the **▲** and **▼** Buttons to navigate the **Photo Menu** and highlight the **Sharpness** setting and press **OK** to select.
4. Use the **▲** and **▼** Buttons to highlight your required sharpness, then press the **OK** button to confirm your selection.

Note:

1. Menu cannot be accessed while the camera is recording. Please stop the recording before attempting to access the menu.
2. This setting can only be accessed through the **Photo Menu**, please make sure that you are in the **Photo screen** when you access the menu.

3.1.6 White Balance

The **White Balance** setting is used to manually adjust the settings used to counteract different light conditions. This setting is set to Auto by default. To change the White Balance setting follow the instructions below.

1. Enter the **Photo** screen by holding the **M** button for three seconds while in the **Video** screen, ensuring that the camera is not recording.
2. Press the **M** Button to enter the **Photo Menu**.
3. Use the **▲** and **▼** Buttons to navigate the **Photo Menu** and highlight the **White Balance** setting and press **OK** to select.
4. Use the **▲** and **▼** Buttons to highlight your required setting, then press the **OK** button to confirm your selection.

Note:

1. Menus cannot be accessed while the camera is recording. Please stop the recording before attempting to access the menu.
2. This setting can only be accessed through the **Photo Menu**, please make sure that you are in the **Photo screen** when you access the menu.

3.1.7 Colour

The **Colour** setting is used to set the colour palette. To change the **Colour** setting follow the instructions below.

1. Enter the **Photo** screen by holding the **M** button for three seconds while in the **Video** screen, ensuring that the camera is not recording.
2. Press the **M** Button to enter the **Photo Menu**.
3. Use the **▲** and **▼** Buttons to navigate the **Photo Menu** and highlight the **Colour** setting and press **OK** to select.
4. Use the **▲** and **▼** Buttons to highlight your required colour setting, then press the **OK** button to confirm your selection.

Note:

1. Menus cannot be accessed while the camera is recording. Please stop the recording before attempting to access the menu.
2. This setting can only be accessed through the **Photo Menu**, please make sure that you are in the **Photo screen** when you access the menu.

3.1.8 ISO

ISO is used to manage how much light is let into the image sensor. Setting a higher ISO will let in more light and blurred movement and lower ISO will capture less movement and less light. To change the ISO setting follow the instructions below.

1. Enter the **Photo** screen by holding the **M** button for three seconds while in the **Video** screen, ensuring that the camera is not recording..
2. Press the **M** Button to enter the **Photo Menu**.
3. Use the **▲** and **▼** Buttons to navigate the **Photo Menu** and highlight the **ISO** setting and press **OK** to select.
4. Use the **▲** and **▼** Buttons to highlight your required ISO setting, then press the **OK** button to confirm your selection.

Note:

1. Menus cannot be accessed while the camera is recording. Please stop the recording before attempting to access the menu.
2. This setting can only be accessed through the **Photo Menu**, please make sure that you are in the **Photo screen** when you access the menu.

3.1.9 Exposure

Exposure is used to manually control the light settings. To change the Exposure setting follow the instructions below

1. Enter the **Photo** screen by holding the **M** button for three seconds while in the **Video** screen, ensuring that the camera is not recording.
2. Press the **M** Button to enter the **Photo Menu**.
3. Use the **▲** and **▼** Buttons to navigate the **Photo Menu** and highlight the **ISO** setting and press **OK** to select.
4. Use the **▲** and **▼** Buttons to highlight your required exposure setting, then press the **OK** button to confirm your selection.

Note:

1. Menu cannot be accessed while the camera is recording. Please stop the recording before attempting to access the menu.
2. This setting can only be accessed through the **Photo Menu**, please make sure that you are in the **Photo screen** when you access the menu.

3.1.2.0 Anti Shaking

The **Anti Shaking** setting uses the on board chipset to correct some of the blur caused but handheld photography. To enable Anti Shaking follow the instructions below.

1. Enter the **Photo** screen by holding the **M** button for three seconds while in the **Video** screen, ensuring that the camera is not recording.
2. Press the **M** Button to enter the **Photo Menu**.
3. Use the **▲** and **▼** Buttons to navigate the **Photo Menu** and highlight the **Anti Shaking** setting and press **OK** to select.
4. Use the **▲** and **▼** Buttons to highlight either OFF or ON, then press the **OK** button to confirm your selection.

Note:

1. Menu cannot be accessed while the camera is recording. Please stop the recording before attempting to access the menu.
2. This setting can only be accessed through the **Photo Menu**, please make sure that you are in the **Photo screen** when you access the menu.

3.1.2.1 Quick Review

Quick review displays the photo on screen for the set amount of time after the photo has been taken. To change the Quick Review setting follow the instructions below.

1. Enter the **Photo** screen by holding the **M** button for three seconds while in the **Video** screen, ensuring that the camera is not recording.
2. Press the **M** Button to enter the **Photo Menu**.
3. Use the **▲** and **▼** Buttons to navigate the **Photo Menu** and highlight the **Quick Review** setting and press **OK** to select.
4. Use the **▲** and **▼** Buttons to highlight your required image display time setting, then press the **OK** button to confirm your selection.

Note:

1. Menu cannot be accessed while the camera is recording. Please stop the recording before attempting to access the menu.
2. This setting can only be accessed through the **Photo Menu**, please make sure that you are in the **Photo screen** when you access the menu.

3.1.2.2 Date Stamp

Date stamp is used to stamp your photos with the time and date that they are taken. To select your preferred time and date format follow the instructions below.

1. Enter the **Photo** screen by holding the **M** button for three seconds while in the **Video** screen, ensuring that the camera is not recording.
2. Press the **M** Button to enter the **Photo Menu**.
3. Use the **▲** and **▼** Buttons to navigate the **Photo Menu** and highlight the **Date Stamp** setting and press **OK** to select.
4. Use the **▲** and **▼** Buttons either Date, Date/Time, or ON, then press the **OK** button to confirm your selection.

Note:

1. Menus cannot be accessed while the camera is recording. Please stop the recording before attempting to access the menu.
2. This setting can only be accessed through the **Photo Menu**, please make sure that you are in the **Photo screen** when you access the menu.
3. The Date Stamp setting is not used to set the cameras internal clock. To set the time follow the instructions Date/Time in the settings section.

3.2 Setting Menu

This menu is used to edit the cameras operational settings. This menu can be accessed through either the **Video** or **Photo** menu by pressing the **M** whilst in either of these menus. While in this menu the **▲** and **▼** buttons are used to navigate and the **OK** button to select the highlighted setting.

3.2.1 Date/Time

The **Date/Time setting** is used to set the cameras internal clock. To set the internal clock follow the instructions below.

1. Ensure that the DVR is not recording.
2. Press the **M** Button to enter the **Video** or **Photo Menu**.
3. Press the **M** Button again to enter the **Settings Menu**.
4. Use the **▲** and **▼** Buttons to navigate the **Settings Menu** and highlight the **Date/Time** setting and press **OK** to select.
5. Use the **▲** and **▼** buttons to edit the selected digit and the **OK** button to confirm and progress to the next digit. The final field sets the format that the date will be presented in, pressing **OK** with this field highlighted will save the date and time and return you to the **Settings Menu**.

Note:

1. Menus cannot be accessed while the camera is recording. Please stop the recording before attempting to access the menu.
2. Once the time and date is set it can be stamped onto your footage using the **Date Stamp setting**. Please see section **Date Stamp** for more details

3.2.2 Auto Power Off

Auto Power Off is used to set the duration of inactivity before the camera will power down. To set **Auto Power Off** follow the instructions below.

1. Ensure that the DVR is not recording.
2. Press the **M** Button to enter the **Video** or **Photo Menu**.
3. Press the **M** Button again to enter the **Settings Menu**.
4. Use the **A** and **V** Buttons to navigate the **Settings Menu** and highlight the **Auto power Off** setting and press **OK** to select.
5. Use the **A** and **V** Buttons to highlight the duration of inactivity required to power down the NCP-DVRGPS, then press the **OK** button to confirm your selection.

Note:

1. Menu cannot be accessed while the camera is recording. Please stop the recording before attempting to access the menu.
2. This setting can only be accessed through the **Settings Menu** which can be accessed via the **Video** and **Photo Menus**.

3.2.3 Beep Sound

The **Beep Sound** setting is used to turn Off or On the beep that indicates a key press. To adjust the key beep settings, follow the instructions below.

1. Ensure that the DVR is not recording.
2. Press the **M** Button to enter the **Video** or **Photo Menu**.
3. Press the **M** Button again to enter the **Settings Menu**.
4. Use the **A** and **V** Buttons to navigate the **Settings Menu** and highlight the **Key Sound** setting and press **OK** to select.
5. Use the **A** and **V** Buttons to highlight either OFF or ON, then press the **OK** button to confirm your selection.

Note:

1. Menu cannot be accessed while the camera is recording. Please stop the recording before attempting to access the menu.
2. This setting can only be accessed through the **Settings Menu** which can be accessed via the **Video** and **Photo Menus**.

3.2.4 Language

The **Language** setting is used to select your preferred Language in the menus. To set the systems language follow the instructions below.

1. Ensure that the DVR is not recording.
2. Press the **M** Button to enter the **Video** or **Photo Menu**.
3. Press the **M** Button again to enter the **Settings Menu**.
4. Use the **A** and **V** Buttons to navigate the **Settings Menu** and highlight the **Language** setting and press **OK** to select.
5. Use the **A** and **V** Buttons to highlight your preferred **Language**, then press the **OK** button to confirm your selection.

Note:

1. Menu cannot be accessed while the camera is recording. Please stop the recording before attempting to access the menu.
2. This setting can only be accessed through the **Settings Menu** which can be accessed via the **Video** and **Photo Menus**.

3.2.5 Frequency

The **Frequency** setting is used to set the cameras frequency. To adjust the frequency, follow the instructions below.

1. Ensure that the DVR is not recording.
2. Press the **M** Button to enter the **Video** or **Photo Menu**.
3. Press the **M** Button again to enter the **Settings Menu**.
4. Use the **▲** and **▼** Buttons to navigate the **Settings Menu** and highlight the **Frequency** setting and press **OK** to select.
5. Use the **▲** and **▼** Buttons to highlight your preferred **Frequency**, then press the **OK** button to confirm your selection.

Note:

1. Menu cannot be accessed while the camera is recording. Please stop the recording before attempting to access the menu.
2. This setting can only be accessed through the **Settings Menu** which can be accessed via the **Video** and **Photo Menus**.

3.2.6 Lamp Setting

The **Lamp Setting** is used to activate or deactivate the LED on the front face of the DVR. To adjust the light settings, please follow the instructions below.

1. Ensure that the DVR is not recording.
2. Press the **M** Button to enter the **Video** or **Photo Menu**.
3. Press the **M** Button again to enter the **Settings Menu**.
4. Use the **▲** and **▼** Buttons to navigate the **Settings Menu** and highlight the **Lamp Setting** and press **OK** to select.
5. Use the **▲** and **▼** Buttons to highlight your preferred either OFF or ON, then press the **OK** button to confirm your selection.

Note:

1. Menu cannot be accessed while the camera is recording. Please stop the recording before attempting to access the menu.
2. This setting can only be accessed through the **Settings Menu** which can be accessed via the **Video** and **Photo Menus**.

3.2.7 Format

The **Format** setting is used to format the inserted Micro SD card. This optimises the Micro SD for the NCP-DVRGPS and deletes all data from the inserted Micro SD card. It is recommended that you format your Micro SD card before attempting to use the NCP-DVRGPS. To format an inserted Micro SD card, please follow the instructions below.

1. Ensure that the DVR is not recording.
2. Press the **M** Button to enter the **Video** or **Photo Menu**.
3. Press the **M** Button again to enter the **Settings Menu**.
4. Use the **▲** and **▼** Buttons to navigate the **Settings Menu** and highlight the **Format Setting** and press **OK** to select.
5. Use the **▲** and **▼** Buttons to highlight SD Card, then press the **OK** button.
6. Use the **▲** and **▼** Buttons to highlight OK, then press the **OK** button.

Note:

1. Menu cannot be accessed while the camera is recording. Please stop the recording before attempting to access the menu.
2. This setting can only be accessed through the **Settings Menu** which can be accessed via the **Video** and **Photo Menus**.

3.2.8 Screen Saver

The **Screen Saver** setting is used to set the duration of inactivity of the camera before the screen goes into sleep mode. To set the screen saver follow the instructions below.

1. Ensure that the DVR is not recording.
2. Press the **M** Button to enter the **Video** or **Photo Menu**.
3. Press the **M** Button again to enter the **Settings Menu**.
4. Use the **A** and **V** Buttons to navigate the **Settings Menu** and highlight the **Screen Saver** setting and press **OK** to select.
5. Use the **A** and **V** Buttons to highlight your preferred duration of inactivity, then press the **OK** button to confirm your selection.

Note:

1. Menu cannot be accessed while the camera is recording. Please stop the recording before attempting to access the menu.
2. This setting can only be accessed through the **Settings Menu** which can be accessed via the **Video** and **Photo Menus**.
3. Even when the screensaver is activated and the screen goes into sleep mode, the camera will continue recording.

3.2.9 Delayed Shutdown

The **Delayed Shutdown** setting is used to set how long the camera will continue recording after you power off our vehicle. To adjust the Delayed Shutdown setting, follow the instructions below.

1. Ensure that the DVR is not recording.
2. Press the **M** Button to enter the **Video** or **Photo Menu**.
3. Press the **M** Button again to enter the **Settings Menu**.
4. Use the **A** and **V** Buttons to navigate the **Settings Menu** and highlight the **Delayed Shutdown** setting and press **OK** to select.
5. Use the **A** and **V** Buttons to highlight your preferred setting, then press the **OK** button to confirm your selection.

Note:

1. Menu cannot be accessed while the camera is recording. Please stop the recording before attempting to access the menu.
2. This setting can only be accessed through the **Settings Menu** which can be accessed via the **Video** and **Photo Menus**.

3.3.0 Default Settings

Default Settings is used to revert the NCP-DVRGPS's settings to their default settings. To reset the camera to restore the default settings, please follow the instructions below.

1. Ensure that the DVR is not recording.
2. Press the **M** Button to enter the **Video** or **Photo Menu**.
3. Press the **M** Button again to enter the **Settings Menu**.
4. Use the **▲** and **▼** Buttons to navigate the **Settings Menu** and highlight the **Default Settings** setting and press **OK** to select.
5. Use the **▲** and **▼** Buttons to highlight OK, then press the **OK** button to confirm your selection.

Note:

1. Menu cannot be accessed while the camera is recording. Please stop the recording before attempting to access the menu.
2. This setting can only be accessed through the **Settings Menu** which can be accessed via the **Video** and **Photo Menus**.

3.3 Playback Screen

This screen is used to playback photos and videos. To access the **Playback screen** ensure that the camera is not recording and hold the **M** (Menu/Mode) button for 3 seconds. This will send the camera to the photo screen. While in the Photo Screen hold the **M** (Menu/Mode) button for another 3 seconds which will bring you to the **Playback Screen**. In this screen the **▲** and **▼** buttons are used to cycle through the recorded videos and photos and the **OK** button is used to play and pause videos. In the **Playback Screen** photos and videos can also be locked and deleted via the **Playback Menu**. This menu can be accessed by pressing the **M** (Menu/Mode) in the Photo Screen.



3.4 Playback Menu

3.4.1 Deleting Photos and Videos

To delete an unlocked photo or video follow the instructions below.

1. Navigate to the playback screen using the instructions in the section labelled **Playback Screen**
2. In the Playback Screen use the **▲** and **▼** buttons to select the photo or video that you want to delete (if you want to delete all unlocked photos and videos select any unlocked Photo or Video).
3. Press the **M** (Menu/Mode) button to enter the Playback Menu and use the **▲** and **▼** buttons to select the **Delete** setting.
4. Use the **▲** and **▼** Buttons to select either **Delete All** which will delete all unlocked photos and videos, or **Delete Current** which will delete the selected photo or video.
5. Press the **OK** button to confirm the deletion.

Note:

1. Menu cannot be accessed while the camera is recording. Please stop the recording before attempting to access the menu.
2. You will only be able to delete videos that have not been protected by a **G Sensor**.
3. To unlock protected files please follow the directions in the section marked **Protect Photos and Videos**.
4. To easily delete all files on the inserted Micro SD Card, please follow the instructions given in the section marked **Format**.

3.4.2 Locking and Unlocking Photos and Videos

To **Lock or Unlock photos or videos** from being deleted, please follow the instructions below.

1. Navigate to the playback screen using the instructions in the section labelled **Playback Screen**
2. In the Playback Screen use the **A** and **V** buttons to select the photo or video that you want to lock or unlock (if you want to lock or unlock all photos and videos select any Photo or Video).
3. Press the **M** (Menu/Mode) button to enter the **Playback Menu** and use the **A** and **V** buttons to select the **Protect** setting.
4. Use the **A** and **V** Buttons to select either Unlock all, which will unlock all photos and videos, **Unlock Current** to unlock the currently selected photo or video, **Lock all** to lock all videos and photos to protect them from deletion, or **Lock current** to lock the currently selected to protect the currently selected photo or video from deletion.
5. Press the **OK** button to confirm your selection.

Note:

1. Menu cannot be accessed while the camera is recording. Please stop the recording before attempting to access the menu.
2. To easily delete all file on the inserted Micro SD Card, please follow the instructions given in the section marked **Format**.

3.4.3 Slide Show

Slide show can be used to display a slide show of the saved photos and videos taken with your Car DVR. To activate the Slide Show please follow the instructions below.

1. Navigate to the playback screen using the instructions in the section labelled **Playback Screen**
2. In the **Playback Screen** and select any Photo or Video.
3. Press the **M** (Menu/Mode) button to enter the **Playback Menu** and use the **A** and **V** buttons to select the **Slide Show** setting.
4. Use the **A** and **V** Buttons to select the duration that you would like each image to display.
5. Press the **OK** button to confirm your selection.
6. Once you have finished reviewing the slide show press the **OK** button to stop the slide show.

Note:

1. Menu cannot be accessed while the camera is recording. Please stop the recording before attempting to access the menu.
2. The slide show will display the first frame of videos, videos will not play automatically.

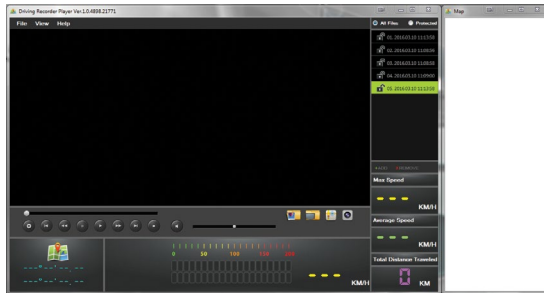
3.5 Playback Software

Your videos can be viewed in most playback programmes like Windows Media Player and QuickTime. However, to playback your footage alongside the recorded GPS tracking and speed details please use the included **Driving Recorder Player** software. It is recommended when playing back the video alongside the GPS tracking that you transfer the video files from the Micro SD card to your computer and play the files locally from your computer's hard drive.

3.5.1 Playback

To playback your files using the GPS tracking software, please follow the instructions below.

1. Install the included **Driving Recorder Player** software following the on screen instructions.
2. Once installed, remove the Micro SD card from the Car DVR and connect the card to your computer using your preferred method.
3. Transfer the required files from the inserted SD Card (Removable storage device) to a location on your computer's hard drive.
4. Open the **Driving Recorder Player Software**.
5. In the **Driving Recorder Player software**, click **File** in the top left corner and then click **Open** from the drop down menu.
6. In the window that appears, locate the videos that you have saved to your computer's hard drive, and double click the video you would like to play back.
7. Your video will now start to Play back.



Note:

1. GPS tracking may not appear instantly. If the GPS tracking does not appear ensure that you are playing the video files locally from your computer's hard drive, and that the GPS module was connected at the time that the video was recorded.
2. GPS tracking is only available while your computer is connected to the internet.
3. If you have lost your software CD or can not ready a CD on your computer, please download a copy of the playback software from www.nanocampus.com.au or www.nanocampus.co.nz

4. Menus

Video	Resolution	1080FHD 1920x1080 720P 1280x720 WVGA 848x480 VGA 640x480	
	Loop recording	Off 2 Minutes 3 Minutes 5 Minutes	
	WDR	Off On	
	Exposure	+2.0 +5/3 +4/3 +1.0 +2/3 +1/3 +0.0	-1/3 -2/3 -1.0 -4/3 -5/3 -2.0
	Motion Detection	Off On	
	Recording Audio	Off On	
	Date Stamp	Off On	
	G Sensor (Gravity Sensing)	Off Low Sensitivity Medium Sensitivity High Sensitivity	
	GPS	Off On	

Photo	Capture Mode	Single 2S Timer	5S Timer 10S Timer
	Resolution	12M 4032x3024 10M 3648x2736 8M 3264x2448 5M 2592x1944	3M 2048x1536 2MHD 1920x1080 VGA 640x480 1.3 1280x960
	Sequence	Off	On
	Quality	Fine Normal Economy	
	Sharpness	Strong Normal Soft	
	White Balance	Auto Daylight Cloudy	Tungsten Fluorescent
	Colour	Color Black & White	Sepia
	ISO	Auto 100	200 400
	Exposure	+2.0 +5/3 +4/3 +1.0 +2/3 +1/3 +0.0	-1/3 -2/3 -1.0 -4/3 -5/3 -2.0
	Anti Shaking	Off	On
	Quick Review	Off 5 Seconds	2 Seconds
	Date	Off Date/Time	Date

Settings

Date / Time	Set Date and Time	
Auto Power Off	Off	
	1 Minute	
	3 Minutes	
	5 Minutes	
Beep Sound	Off	On
Language	Language Select	
TV Mode	NTSC	
	PAL	
Frequency	50Hz	
	60Hz	
Lamp Setting	Off	On
Format	Internal Memory	SD Card
Screen Saver	Off	
	30 Seconds	
	1 Minute	
	2 Minutes	
	5 Minutes	
Delayed Shutdown	Off	
	30 Seconds	
	1 Minute	
	2 Minutes	
Default Settings	Cancel	Ok
Version Number	Display version number	

Screen	2.7
Lens	165°
Camera Rotation	160°
Video Resolution	1080P
Video Format	.MOV
Frames	30
Image Resolution	2M, 3M, 5M, 8M, 10M, 12M
Photo Format	JPG
Motion Detection	YES
Cycle Recording	YES
Memory Card Type	Micro SD Card (Class 6-10)
Capacity	Up to 32GB
USB Port	Micro USB
Power Port	Micro USB
Frequency	50Hz/60Hz
Microphone/Speaker	Built in
Languages	English / French / Spanish / Portuguese / Dutch / Italian / Chinese Traditional / Chinese Simplified / Russian / Japanese / Korean / Hungarian

Warranty Terms & Conditions

Our goods come with guarantees that cannot be excluded under the Australian & New Zealand Consumer Law. You are entitled to a replacement or refund for a major failure and for compensation for any other reasonably foreseeable loss or damage. You are also entitled to have the goods repaired or replaced if the goods fail to be of acceptable quality and the failure does not amount to a major failure.

This warranty is provided in addition to your rights under the Australian & New Zealand Consumer Law.

NanoCam Plus warrants that this product is free from defects in material and workmanship for a period of 12 months from the date of purchase or for the period stated on the packaging. This warranty is only valid where you have used the product in accordance with any recommendations or instructions provided by NanoCam Plus.

This warranty excludes defects resulting from alterations of the product, accident, misuse, abuse or neglect.

In order to claim the warranty, you must return the product to the retailer from which it was purchased or if that retailer is part of a National network, a store within that chain, along with satisfactory proof of purchase. The retailer will then return the goods to NanoCam Plus. NanoCam Plus will repair, replace or refurbish the product at its discretion. The retailer will contact you when the product is ready for collection. All costs involved in claiming this warranty, including the cost of the retailer sending the product to NanoCam Plus, will be borne by you.

NanoCam Plus Address: 44 Translink Drive, Keilor Park Victoria Australia 3042

Ph: +61 03 8331 4800

Email: info@nanocamplus.com.au

YOUR **SAFETY** OUR **PRIORITY**™



www.nanocamplus.com.au
www.nanocamplus.co.nz



© NanoCam Plus 2016